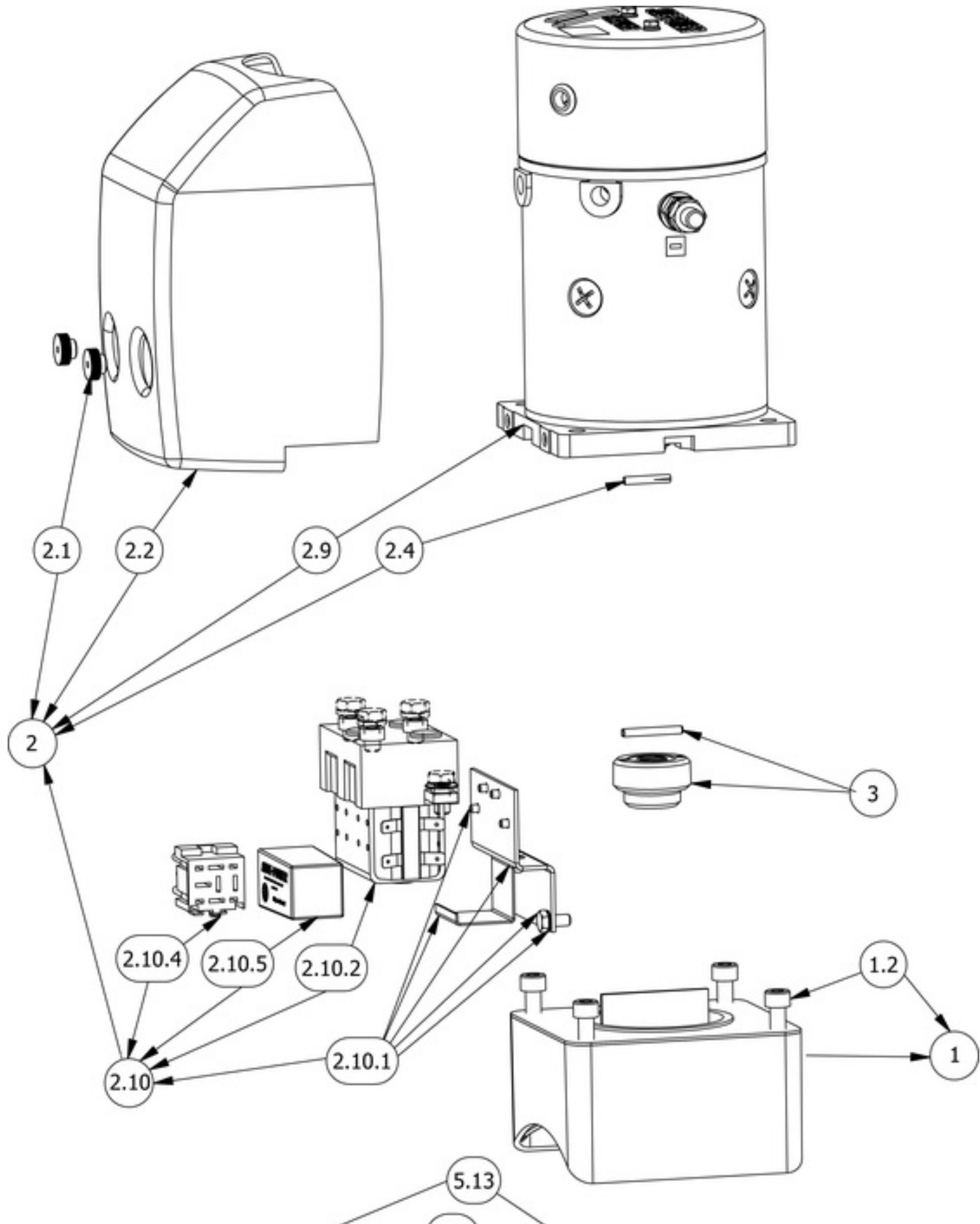
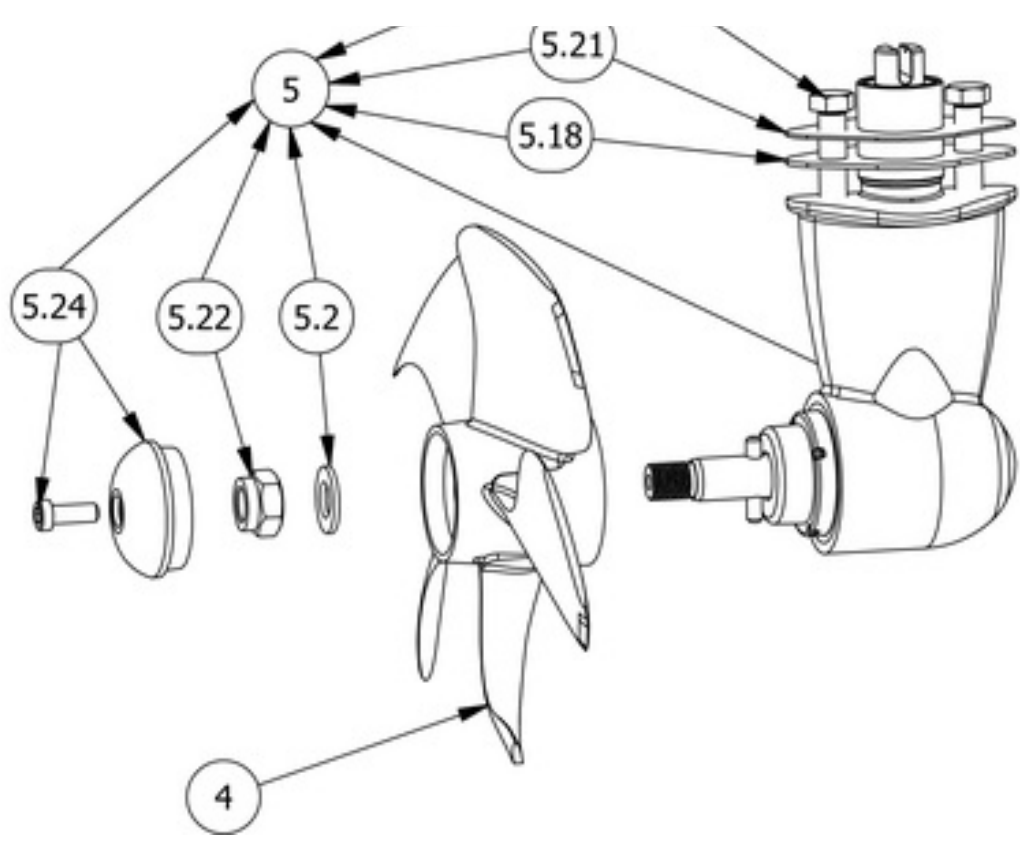


SE60/185S2-12V - SE60 Tunnel bow/stern thruster, 12V



Spare parts (valid from 2020-11-06)





#	Description	Product
1	Engine bracket	4 0502 - Complete motor bracket SE60S2
1.2	DIN 912 - M8 x 22	110028 - Bolt
2	Electric motor complete	4 0101 12 - Complete electric motor for thruster SE60SI-12V
2.1	Plastic nut	6 8807 - Nut for solenoid cover
2.10	Complete solenoid kit	4 0131 12 - Solenoid, complete replacement with IPC & bracket
2.10.1	Solenoid bracket kit	4 0135 - Solenoid bracket kit
2.10.2	Relay	4 1472 12 - Solenoid replacement
2.10.4	Wireing	6 1226 B - Internal wiring harness
2.10.5	Delay relay	6 1232 I - IPC relay 12/24V
2.2	Relay cover SE60S	4 2026 A - Solenoid cover for SE60S
2.4	Shearpin 4mm for late 4HP / SP55	4 2050 - Shearpin 4mm for late 4HP/SP55
2.9	Electric motor	4 2010 12 K - Elektromotor SE60 12V
3	Coupling assembly	SM-137073 - Flexible coupling SE50/50S2
4	5bl skew propeller SE60	4 1261 - Q-Prop thruster propeller, Composite Ø185/ 5 bl.
5	Gearleg mount.w / out propeller	4 0602-U - Gearleg w/out propeller SE60 / sealed drive
5.13	DIN 609 - M8 x 55 - 13	6 1080 - Bolt
5.18	Gasket 1.5mm gearbox	6 1311 15 - Gasket for gearleg installation in tunnel, SE60
5.2	Washer propeller SS2324	7 1181 - Propeller washer SE60/80/100
5.21	Gasket 1mm gear housing	6 1311 10 - Gasket for gearleg installation in tunnel, SE60
5.22	DIN 985 - M12x1.75	4 1260 - Lock nut
5.24	Alu anode SE60 / 80/100	7 1190 A - Anode, aluminium, SE60/80/100

The installer alone has responsibility for the installation of the spare parts. Side-Power only warranty the spare parts supplied only.

The information given in the document was correct at the time it was published. However, Sleipner Motor AS can not accept liability for any inaccuracies or omissions it may contain. Continuous product improvement may change the product specifications without notice. Therefore, Sleipner Motor AS can not accept liability for any possible differences between product and document.